



TURBOLOC 3000-4000 & 5000 KG

Pedestrian operated electric pallet trucks

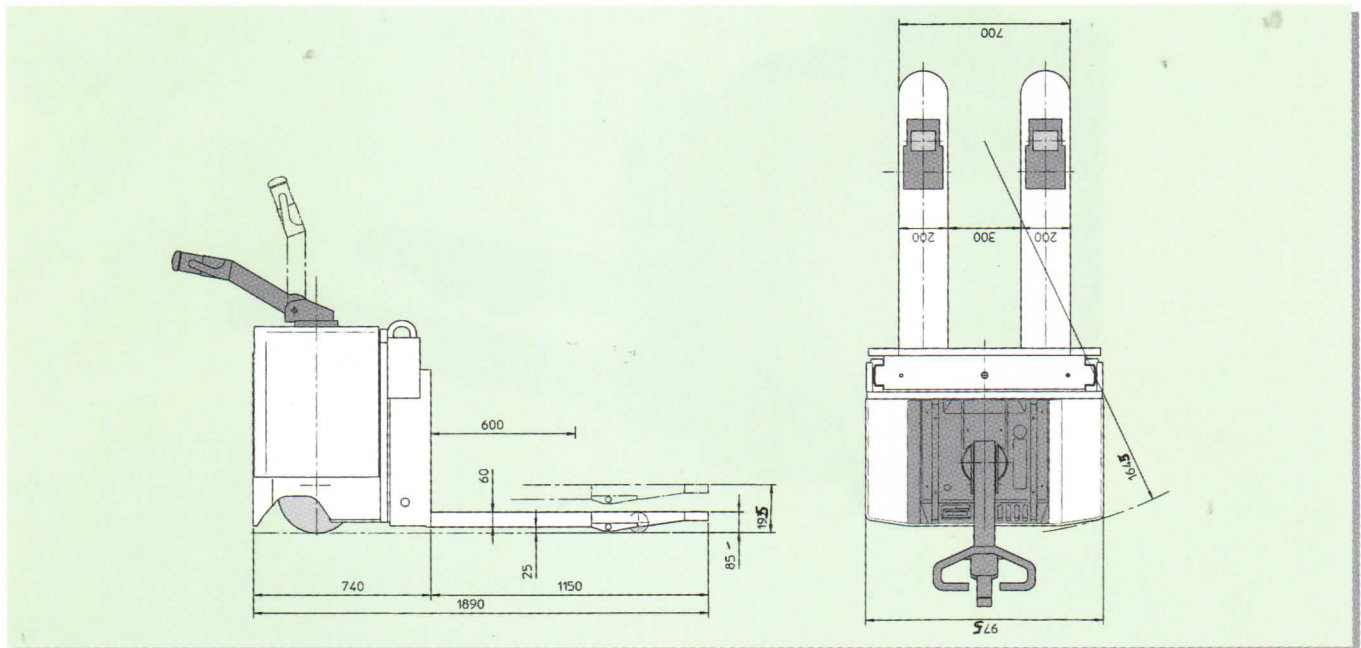


TURBOLOC 3000-4000 & 5000 kg

Pedestrian operated electric pallet trucks



Désignation	1 2	Manufacturer Model	LOC				
			TURBOLOC 300	TURBOLOC 400	TURBOLOC 500		
Specifications	3	Driving method	Pedestrian	Pedestrian	Pedestrian		
	4	Nominal load capacity	Q	kg	3000	4000	5000
	5	Nominal load centre	C	mm	600	600	600
Forks	6	Standard length	L3	mm	1150	1150	1150
	7	Standard external width	B3	mm	570	570	570
	8	Standard internal width	B2	mm	170	170	170
	9	Arm cross section (width x thickness)	A x S1	mm	200x60	200x60	200x60
	10	Distance from ground to fork top, low position	S	mm	85	85	85
	11	Distance from ground to fork top, high position	S	mm	195	195	195
	12	Lift		mm	110	110	110
Dimensions	13	Overall length with 1150 mm fork	L	mm	1890	1890	1890
	14	Length without fork	L2	mm	740	740	740
	15	Overall chassis width	B	mm	975	975	975
	16	Overall chassis height		mm	860	860	860
	17	Ground clearance under chassis	G	mm	25	25	25
	18	Turning radius (fork lowered / lifted)	Wa	mm	1645/1605	1645/1605	1645/1605
Weight	19	Net weight without battery (1150 mm fork)		kg	660	660	660
	20	Batteries net weight 180-225-340 A/h		kg		170 - 200 - 280	
Wheels	21	1 polyurethane drive & directing wheel (D x L)	mm	mm	1(320x120)	1(320x120)	1(320x120)
	22	2 polyurethane stabilising wheels (D x L)	mm	mm	2 x 150 x 50	4 x 120 x 50	4 x 120 x 50
	23	Polyurethane load bearing castors or bogies Q (D x L)	mm	mm	4 x 80 x 100	4 x 80 x 100	4 x 80 x 100
Performances	24	Maximum gradient (10m) unload / load		%	8 / 5	8 / 5	8 / 5
	25	Driving speed unload / load		km/h	6 / 5	6 / 5	6 / 5
	26	Stacking aisle with pallet 1000 x 1200	Ast	mm	2090	2090	2090
Power	27	Drive and lifting motor		W	1700 / 2000	1700 / 2000	1700 / 2000
	28	Speed control		type	Variator SEVCON 270 A		
	29	Brakes		type	Electromagnétique + current reverse on controller		
	30	Lifting motor 24 V (S3 -10%)		W	2000	2000	3000
	31	Traction battery 24 V		A/h	180 - 315	180 - 315	180 - 315
	32	Charger with electronic regulation, mono 220V		Amp	25 ou 40 A	25 ou 40 A	25 ou 40 A



LOC may, without notice, improve and modify the products presented in this data sheet.

Constructeur :

Distribué par :

MLM

Zone Industrielle, 5, Avenue du Vert-Galant - 95310 SAINT-OUEN-L'AUMÔNE - FRANCE

Adresse postale : BP 634 - 95004 CERGY-PONTOISE Cedex - FRANCE

Tél. : +33 (0)1 34 32 65 06 or 08 - Fax : +33 (0)1 34 32 65 10 - www.loc.fr