



D 201 RH
D 201 RHS
D 201 RHG
D 201 RHGS

D 250 RMS
D 250 RHGS

D 300 RM/RMA



D 250 / 300 R



D 201 R



www.ausa.com

AUSA Center, S.L.
 Ctra. de Vic Km 2.8
 08243 Manresa
 BARCELONA (ESPAÑA)
 Tel.: +34 93 874 73 11
 E-mail: ausa@ausa.com
www.ausa.com



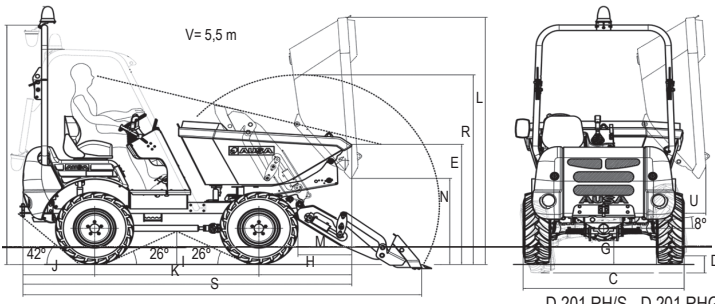
AUSA Madrid Pol. Ind. Coslada - C. Marconi 15-17, 28823 Coslada - MADRID (ESPAÑA) - Tel.: +34 91 669 00 06 - E-mail: ausa.madrid@ausa.com
AUSA France Z.I. Saint Charles - Rue de Zürich, 66000 PERPIGNAN (FRANCE) - Tel: +33 (0) 4 68 54 38 97 - E-mail: ausa.france@ausa.com
AUSA Deutschland Tel.: +49 (0) 2384 9889905 - E-mail: ausa.deutschland@ausa.com
AUSA UK Tel.: +44 (0) 7970639988 - E-mail: ausa.uk@ausa.com
AUSA Brasil Avenida Belizario Ramos 2276 - Lages - SC, 88506-000 (BRASIL) - Tel.: +55 11 9 8786 6014 - E-mail: ausa.brasil@ausa.com
AUSAMéxico Calzada Vallejo 725 Del. Gustavo A. Madero - 07750 México D.F. (MÉXICO) - Tel.: +52 (55) 21669276 - E-mail: ausa.mexico@ausa.com
AUSA U.S. CORP. Tel.: +1 (917) 328 0770 - E-mail: ausa.us@ausa.com
AUSA Beijing Rep. Office Room 403, Moma Building, N.199 - Chaoyang bei road, Chaoyang District - 100026 BEIJING (CHINA)
 Tel.: +86 10 8598 7386 - E-mail: ausa.china@ausa.com

D 201 RH/S_2000 Kg
D 201 RHG/S_2000 Kg
D 250 RMS_2500 Kg
D 250 RHGS_2500 Kg
D 300 RM/RMA_3000 Kg

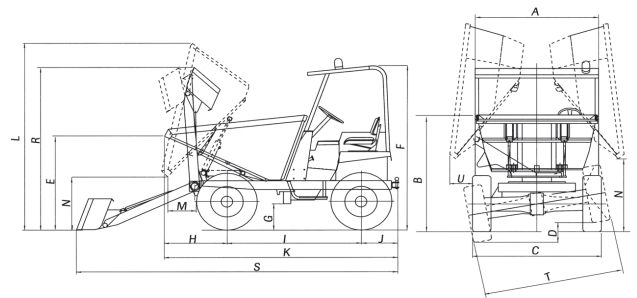
DIMENSIONS (mm)	D 201 RH / S	D 201 RHG / S	D 250 RMS	D 250 RHGS	D 300 RM / RMA
A	1565	1540	1700	1520	1840 / 1700
B	1445	1545	1560	1605	1632 / 1680 - 2390
C	1590 / 1750	1590 / 1750	1800	1800	1800
D	185	185	200	200	200
E	1195	1295	1305	1445	1380 / 1475 - 2175
F	2580	2580	2240	2240	2240
G	255	255	350	350	350
H	885	925	807	842	993 / 762
I	1640	1640	1730	1730	1730
J	715	715	500	500	500
K	3020	3280	3044	2980	3231 / 2992
L	2245	2665	2550	2885	2580 / 3010 - 3705
M	275	535	417	452	603 / 364
N	570	930	720	1105	570 / 1310 - 2020
R	- / 2045	- / 2045	2100	2100	-
S	- / 3980	- / 3980	4174	4174	-
T	1590	1590	1700	1700	1700
U	-	215	-	100	-

S : Dumper equipped with self-loading shovel V: maximum visibility with the shovel fully retracted (patented system)

AUSA
www.ausa.com



D 250 RMS - D 250 RHGS - D 300 RM / RMA



TECHNICAL SPECIFICATIONS

	D 201 RH / S	D 201 RHG / S	D 250 RMS	D 250 RHGS	D 300 RM / RMA
Load capacity (Kg)	2000		2500		3000
Unloading system	Frontal hydraulic	Hydraulic, 180° rotating	Frontal tipping with self-loading shovel	180° rotating tipping with frontal self-loading shovel	Frontal tipping / High tipping
Chassis	Rigid				
Hopper capacities (l)	Water	650	900	850	1290 / 1000
	Levelled	930	1315	950	1800 / 1335
	Heaped	1230	1500	1200	1950 / 1600
Engine	KUBOTA V1505		LOMB. 9LD 626/2B2 NR	ISUZU 4LE2	LOMB. 9LD 626/2B2 NR
	Power (KW/HP)		17.5 / 23.8 (DIN 70020)	38/51.7 (SAE J1995)	17.5/23.8 (DIN 70020)
	N° of Cylinder		2	4	2
	Cooling system		Air	Water	Air
Drive	4 x 4 permanent Compen® System				
Transmission	2-speed hydrostatic Electric gear inverter on the joystick		Mechanical, with 4 forward gears and 4 reverse	2-speed hydrostatic Electric gear inverter	Mechanical, with 4 forward gears and 4 reverse
Clutch	-		Dry single-disc diam. 254 mm - Mechanical driven	-	Dry single-disc diam. 254 mm - Mechanical driven
Engine starting system	Eléctric				
Speed (max.) (Km/h)	20				
Unladen weight (Kg)	1600 / 1800	1850 / 2050	1970 / 2170		2000 / 2130
Gradeability	42%		35%	42%	32%
Hydraulic circuit	Gear pump of 8 cc Working pressure 190 bar		Gear pump of 10.6 cc. Working pressure 150 bar		
			Working pressure 160 bar		
Tyres	Front	10.0/75-15.3 (10 PR)			
	Rear	10.0/75-15.3 (10 PR)			
External turning radius (mm)	4190		4500		
Steering	Hydraulic. Working pressure 80 bar.		Hydraulic. Working pressure 70 bar.		
Tank capacity (l)	Fuel	40			
	Hydraulic fluid	40		30	
Service brake	Sealed oil-immersed multidisc		Oil-immersed, multidisc, hydraulically operated	Hydraulic, drum-type, on front driving shaft	Oil-immersed, multidisc, hydraulically operated
Parking brake	Sealed oil-immersed multidisc		Mechanical, drum-type, on front driving shaft.		
STANDARD EQUIPMENT	Anti vandal system				
	Audible reverse warning				
	Ergonomic seat (with seat belt when ROPS option)				
	ROPS protection				-
	Rotating beacon				-
	Rear view mirror				-
Self-loading shovel* Volumetric capacity	180 l.		250l.		-
* (only RHS/RHGS models)					
OPTIONAL EQUIPMENT	Closed cabin		-		
	Front windscreen with wiper				
	Second seat				
	FOPS/ROPS	FOPS/ROPS protective roof (Seat belt, rotating beacon, rear view mirror)			
	Homologated lighting equipment				
	Towing hitch				
Back-hoe (only in self-loading shovel version)	-		Maximum digging deep: 2750 mm. Break out power: 3970 kg. Transportation height: 2250 mm. Fast-attach system of the backhoe to the dumper. Operating site: 360° rotating seat. Weight: 900 Kg.		