



C 11 M

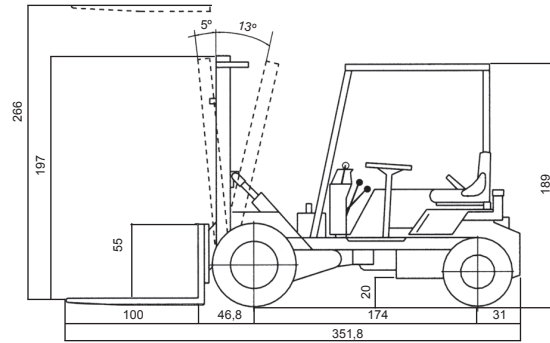
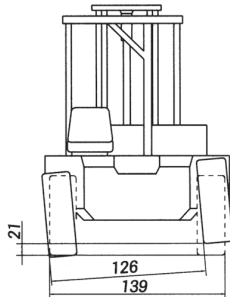
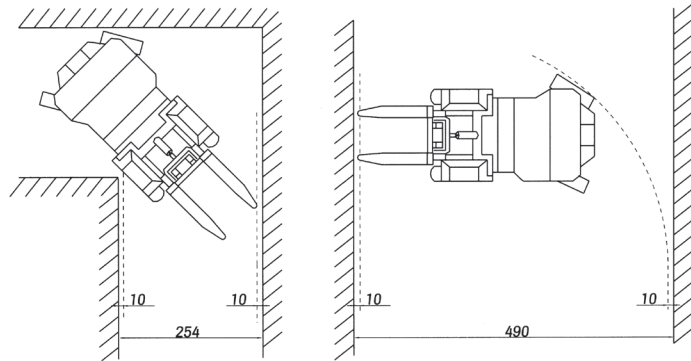


C 11 M_ 1200 Kg

AUSA
www.ausa.com

MAST CHART

Type	Maximum lifting height (mm)	Free lift (mm)	Mast height retracted (mm)	Max. height (mm)	Load (Kg)
Duplex (st)	2660	70	1980	3290	1200
Duplex Free lift	2500	1270	1890	3130	1200
Duplex	3300	70	2300	3930	1200



TECHNICAL SPECIFICATIONS

C 11 M

Load capacity (kg) @ centre of gravity	1200 @ 500 mm / 1050 @ 600 mm	
Lifting height (Standard duplex mast) (mm)	2660	
Engine	Diesel	
	KUBOTA D902	
	Power acc. (KW/HP)	
	12.1 / 16.44	
	N° of cylinders	
	3	
	Cooling system	
	Water	
Traction	4 x 2	
Transmission	Mechanical, with semi-synchronised gearbox, with 4 forward gears and 4 reverse.	
Engine starting system	Electric	
Speed (Maximum) (Km/h)	20	
Unladen weight (Kg) (with full tanks)	2050	
Gradeability	37%	
Hydraulic circuit	14.6 cc gear pump. Working pressure 150 bar.	
Tyres	Front	7.00-12 (12 PR)
	Rear	6.00-9 (10 PR)
External turning radius (mm)	3250	
Steering	Hydraulic with priority valve. Working pressure 100 bar.	
Tank capacity (l)	Fuel	25
	Hydraulic fluid	15
Service brake	Hydraulic, drum-type, on front axle	
Parking brake	Mechanical on front axle	
Forkcarriage	FEM 2 - Width: 1260 mm	
STANDARD EQUIPMENT	Ergonomic seat with seat belt	
	Protective roof (ISO 6055).	
	Rear view mirror.	
	Rotating beacon.	
	Audible reverse warning	
	Side-shift: 1260 mm (width).	
OPTIONAL EQUIPMENT	Homologated lighting equipment.	
	Load backrest: 1250 mm.	
	Hydraulic buckets: 300 l / 400 l.	
Tyres	Front	27x10-12 (14 PR) - (Big Foot)
	Rear	21x8-9 (16 PR)

MKT21003.05 / 01.2015

AUSA reserves the right to make any changes in the specifications without prior notice.